



FLUID COOLING
SYSTEMS, LLC.

PPBF SERIES

Polypropylene Single Filter Bag Housing

DESCRIPTION

PPBF Series Swing Bolt LidType Single Filter Bag Housing is an injection-molded reinforced polypropylene material. The PPH is an innovative product developed for the filtration of acids, alkalis, and corrosive liquids. It has no joints, designed for large flow rates, high filtration efficiency, and long service life, resulting in an excellent filtration system.

FEATURES

Excellent thermoplastic polymer that offers resistance to a wide range of acids and alkalis.

Eye bolt lid design makes changing out the bag filters an easy process while maintaining a secure tight seal against the O-ring.

Vent on lid for safe operation of vessel.

High flow rate and filtration efficiency of vessel.

Long service life.

High-Performance Viton O-Rings.



sales@fluidcoolingsystems.com



2441 E. Bristol Rd, Burton, MI 48529



www.fluidcoolingsystems.com

SPECIFICATION

Housing Material	PPH (Polypropylene Homopolymer)
Housing Direction	Vertical
Bag Size	Size #2: 7"x32"L
Number of Bag	Single
Housing Thickness	16mm
Housing Thickness Filtration Level	down to 1µm
Connection	Side Port
Inlet/Outlet Type	Flange
Inlet/Outlet Size	2"
Sealing Type	SwingBoltCap Type
Seal Material	Viton

Markets Served

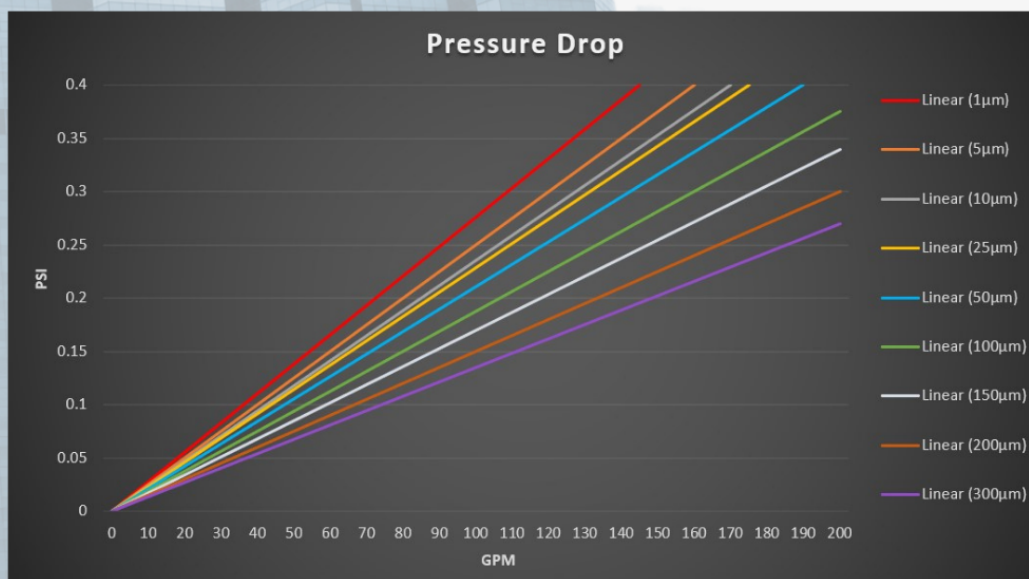
- Petrochemical
- Food Production
- Chemical Production
- Industrial Wastewater
- Seawater Desalination
- Electroplating Industry
- Pharmaceutical Production
- Cooling tower system

OPERATION DATA

Operation Data for PPH Polypropylene Single Filter Bag Housing

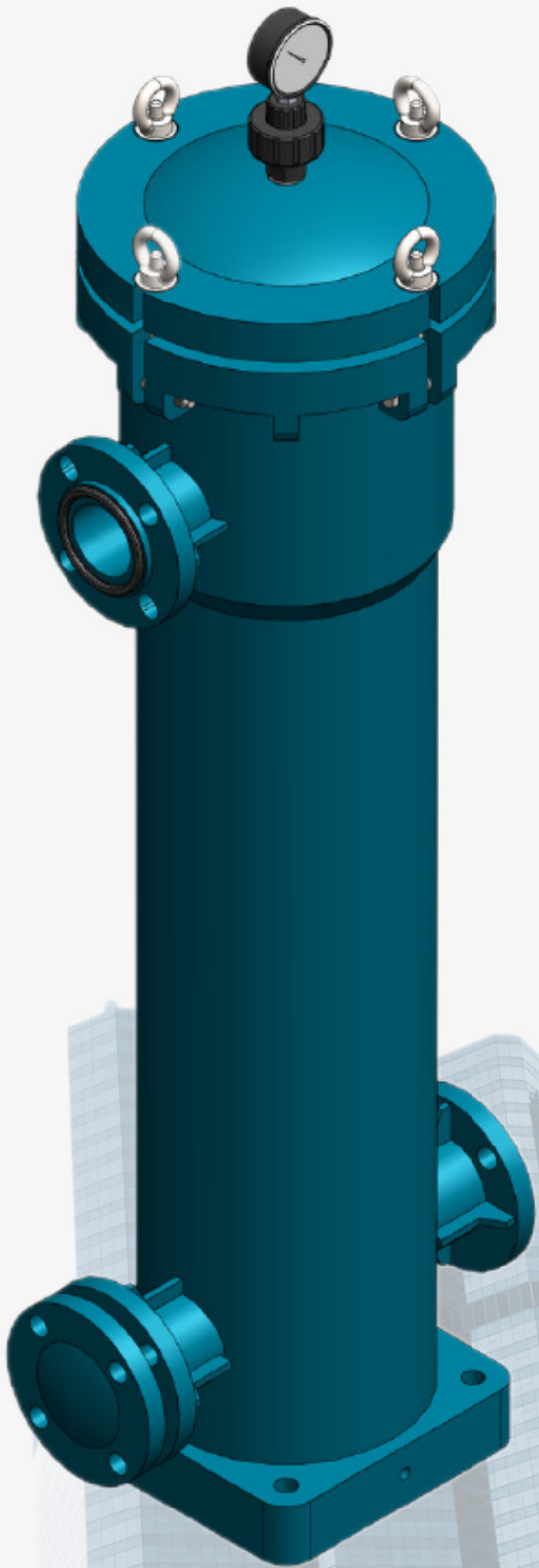
Max. Temperature	194F
Max. Pressure	116psi (8bar)
Liquid Flow Direction	Side in and side out
Flow Rate	176gpm
Filtration Area	Size #2 (7"x32"): 5.38ft ²
Bag Housing Capacity/Weight	Size #2 (7"x32"): 8.45 gallons

FLOW RATE

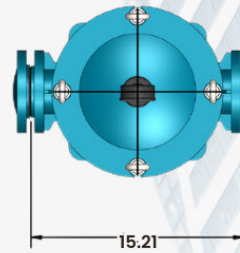


TECH SUPPORT

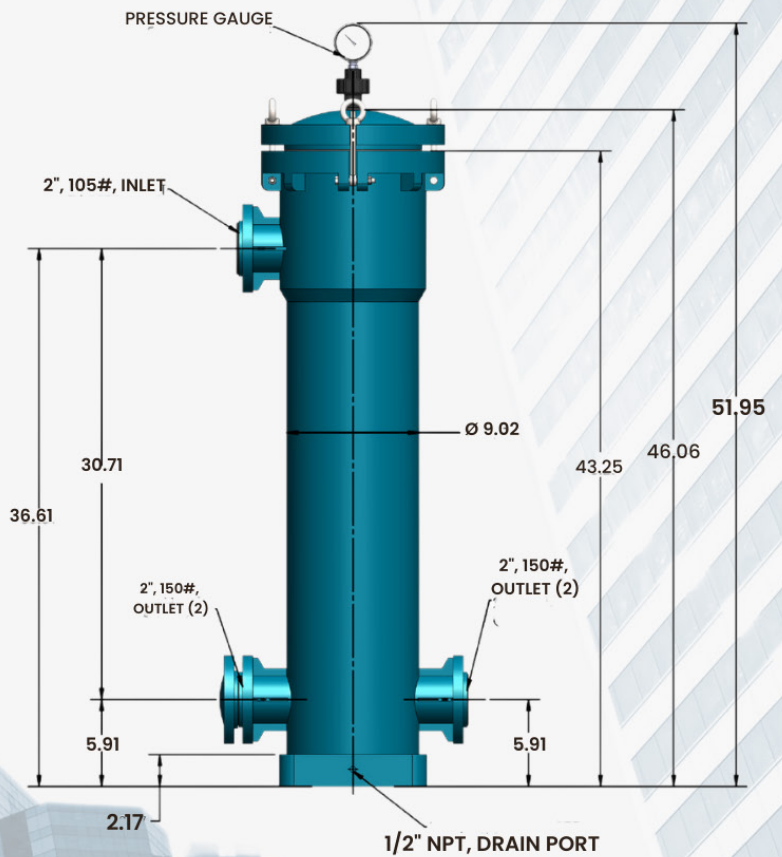
Components & Drawing of PPBF Series PPH Polypropylene Single Filter Bag Housing



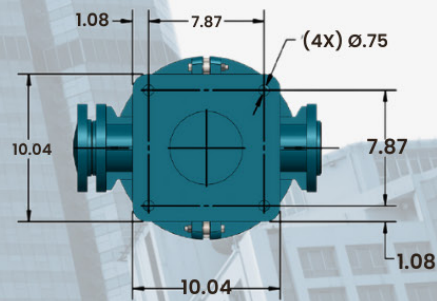
ISOMETRIC VIEW



TOP VIEW



FRONT VIEW

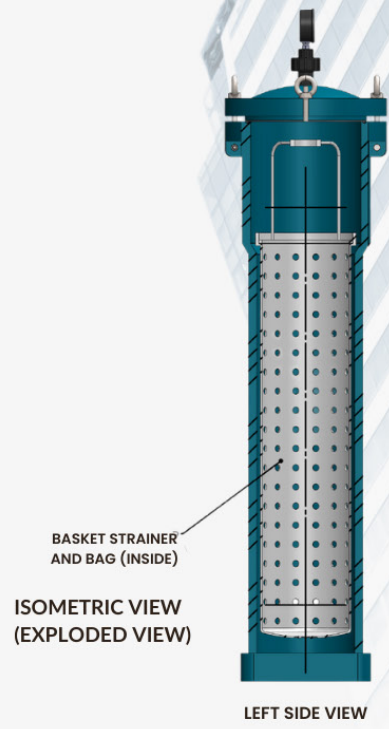
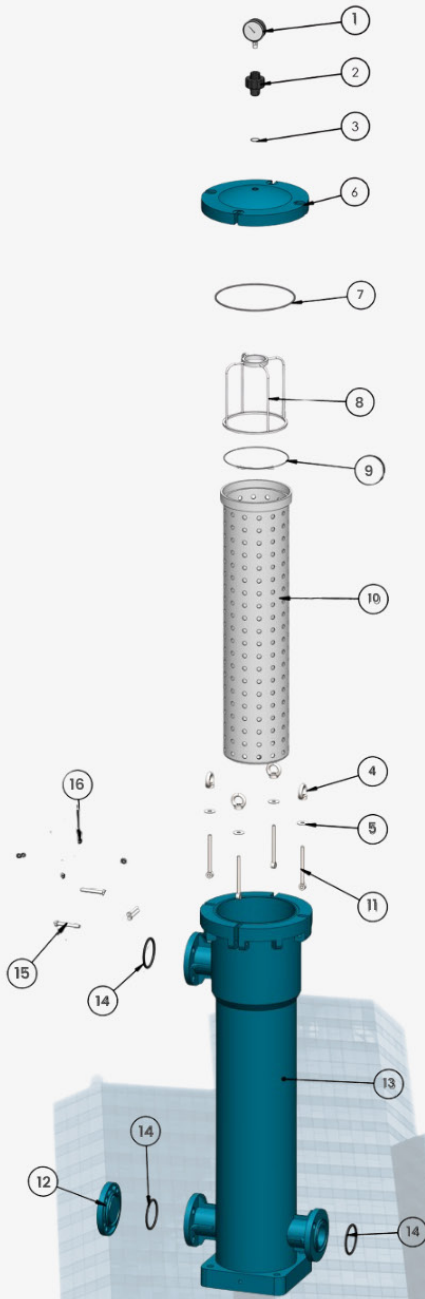


BOTTOM VIEW

PPH STEEL - BAG FILTER LAYOUT

TECH SUPPORT

Components & Drawing of PPBF Series PPH Polypropylene Single Filter Bag Housing



ITEM NO.	DESCRIPTION	MATERIAL	QTY.
1	PRESSURE GAUGE, 1/4" CONN	STAINLESS STEEL	1
2	PRESSURE GAUGE JOINT	PP	1
3	GAUGE JOINT O-RING	FKM	1
4	RING EYE-NUT	SUS316	4
5	SPACER	SUS316	4
6	UPPER COVER	PPH	1
7	HOUSING O-RING	FKM	1
8	PRESSING RING	PPH	1
9	BASKET O-RING	FKM	1
10	BASKET	PPH	1
11	EYE SCREW	SUS316	4
12	OUTLET COVER	PPH	1
15	SCREW	SUS316	4
16	HEX NUT	PPH	4

ORDER INFORMATION

PPBF	Bag Dimensions	Number of Bag	Inlet/Outlet Size (Flange)
PPH Plastic Single Filter Bag Housing	S2 = Size #2 (CI>7"x32")	1 = 1pc	2"

For Example: PPH-S2-1-2

PPBF Series PPH Polypropylene Single Filter Bag Housing - Size #2: 07"x 32" - 1pc - 2" ANSI Flange



**CONTROLLED DOCUMENT (PROPERTY OF FLUID COOLING SYSTEMS, LLC).
PLEASE DO NOT COPY, EDIT, MODIFY OR RECIRCULATE WITHOUT OUR PRIOR WRITTEN CONSENT.**



(888) 315-5631 / (888) 423-1914



www.instagram.com/fluidcooling/



www.facebook.com/fludcoolingsystems



www.youtube.com/watch?v=eTjpVrWYZ00